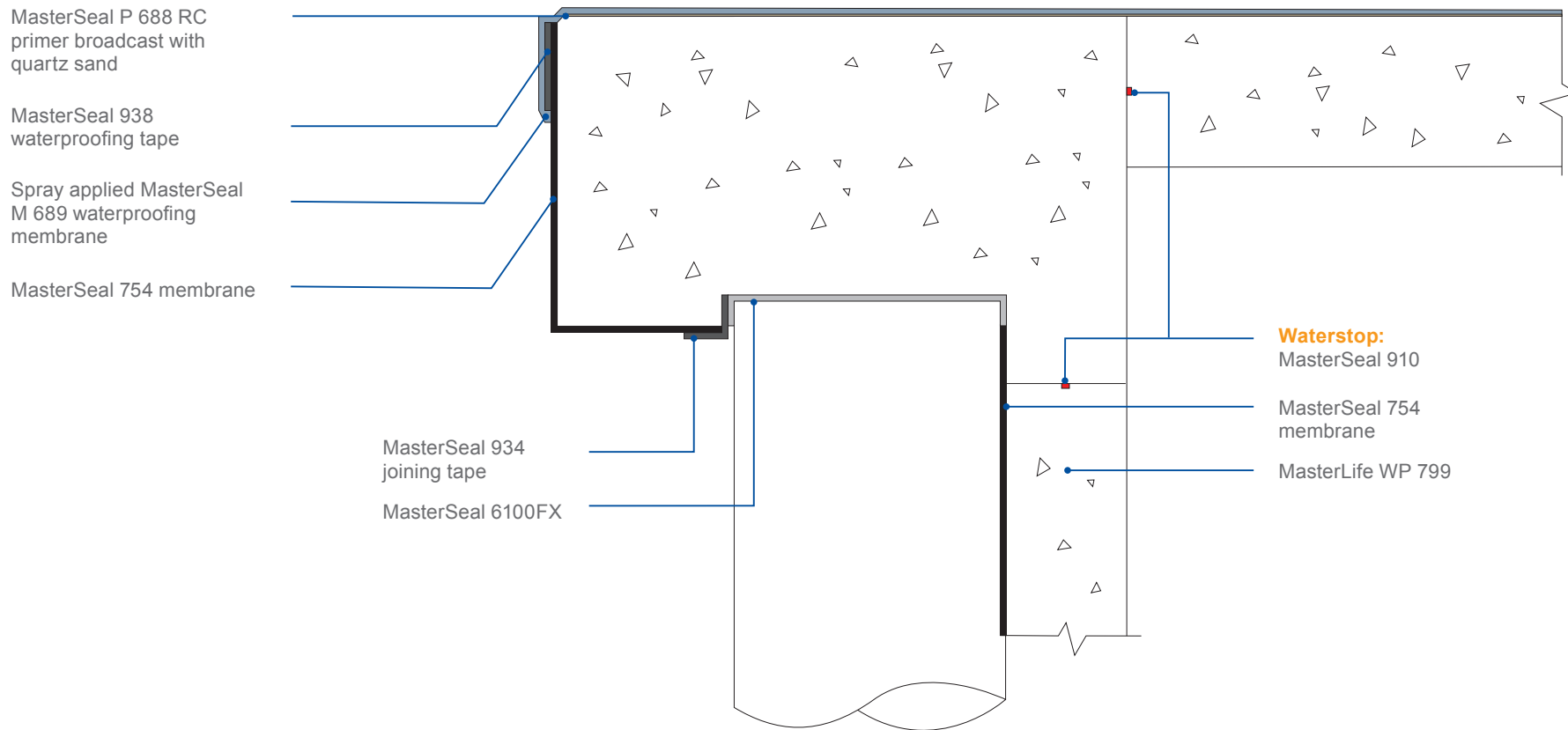


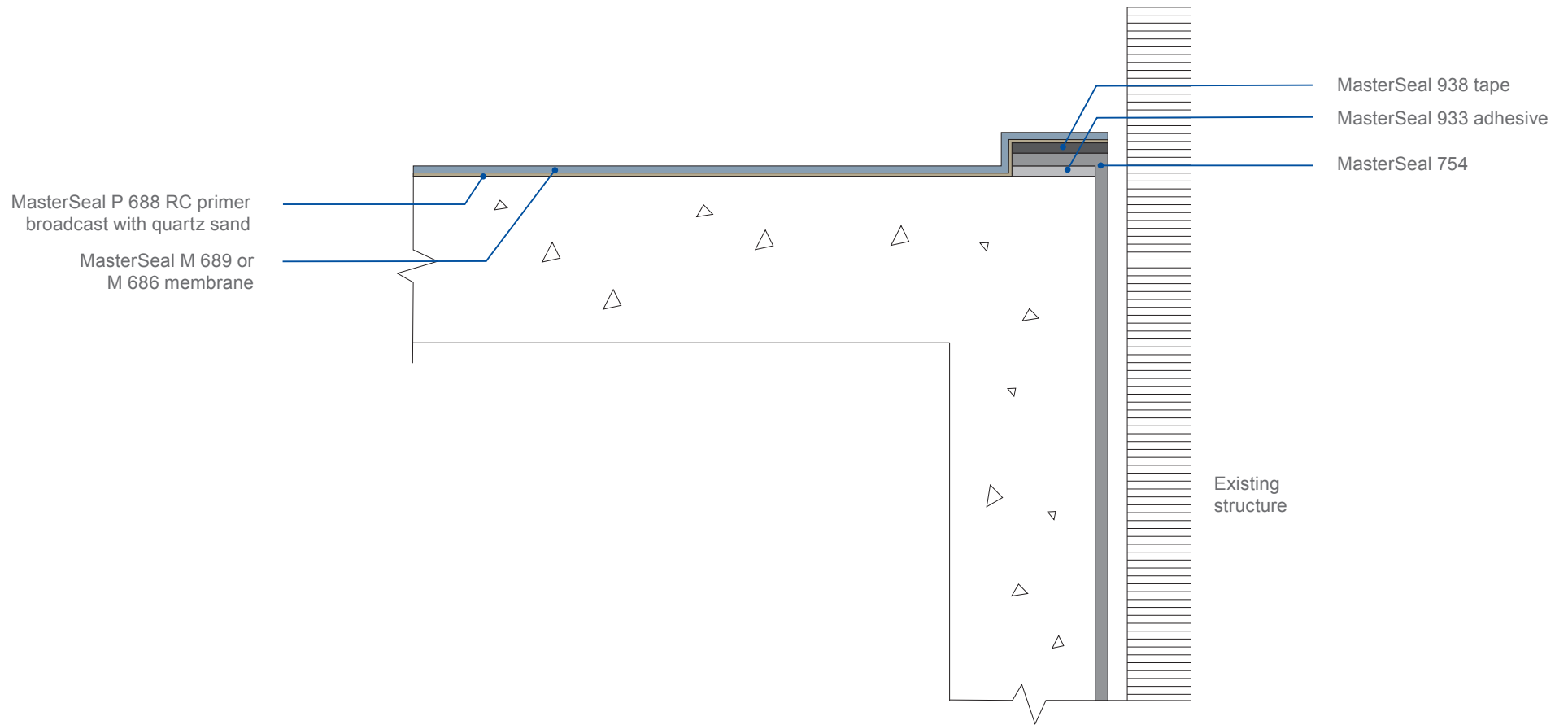


Capping Beam to Podium Link



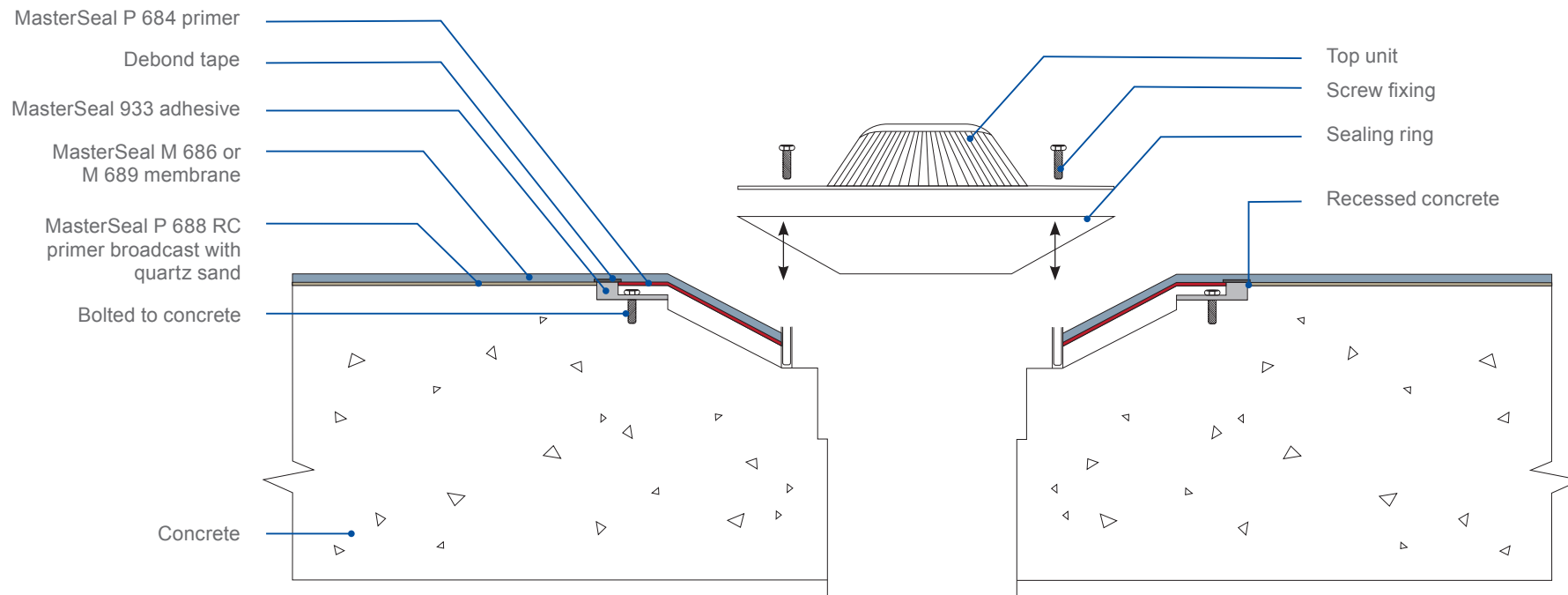


Connecting Detail To Existing Structure



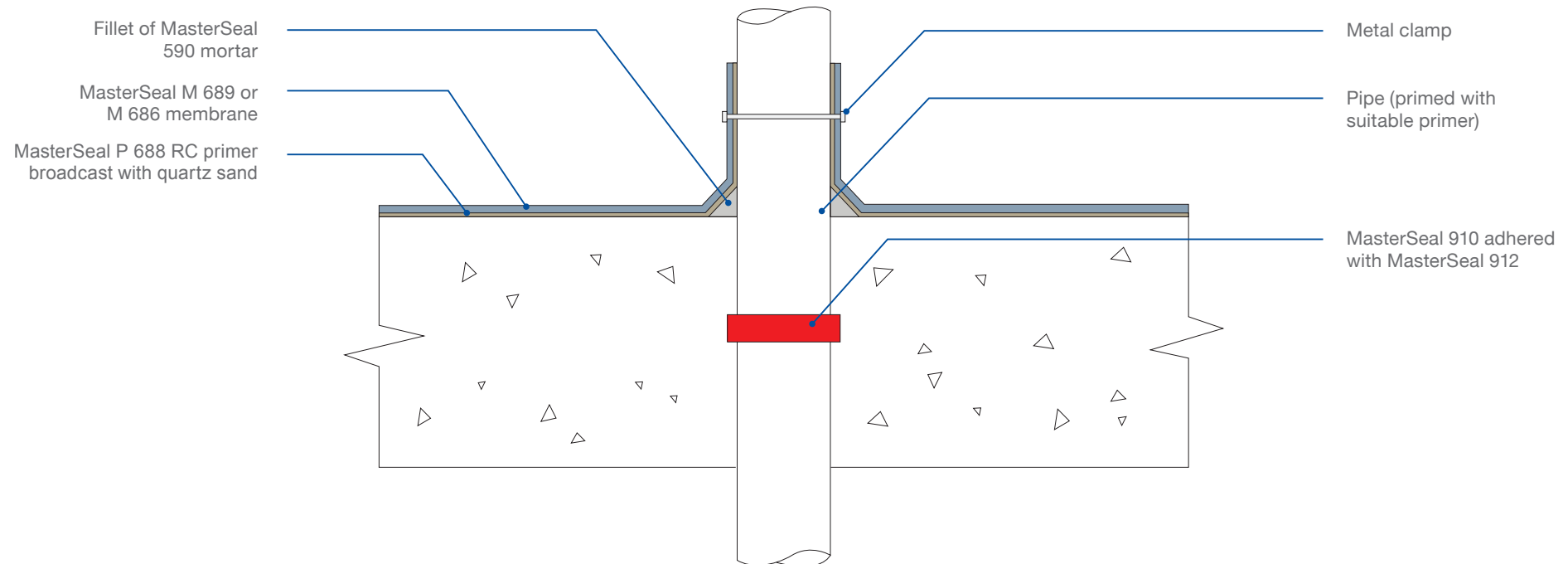


Gully Detail



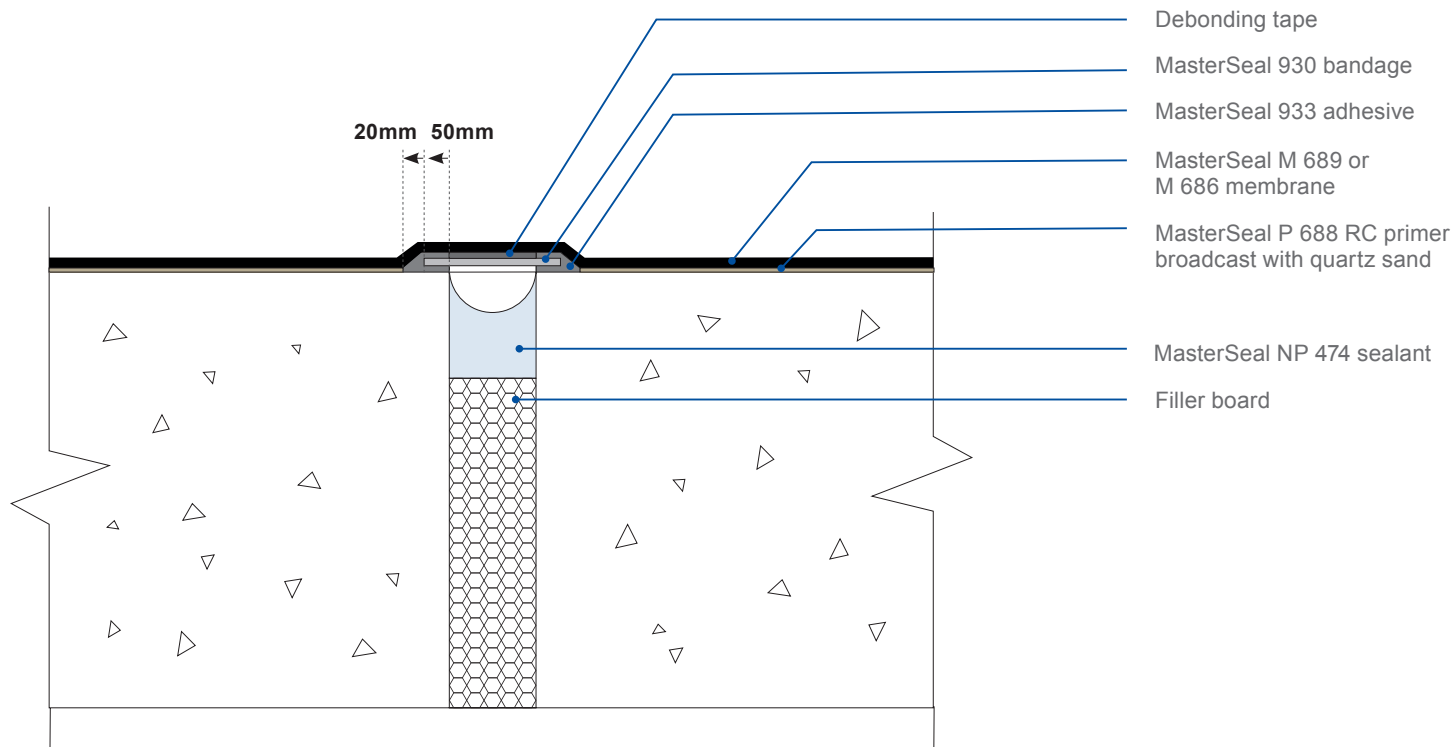


Pipe Penetration with Metal Clamp



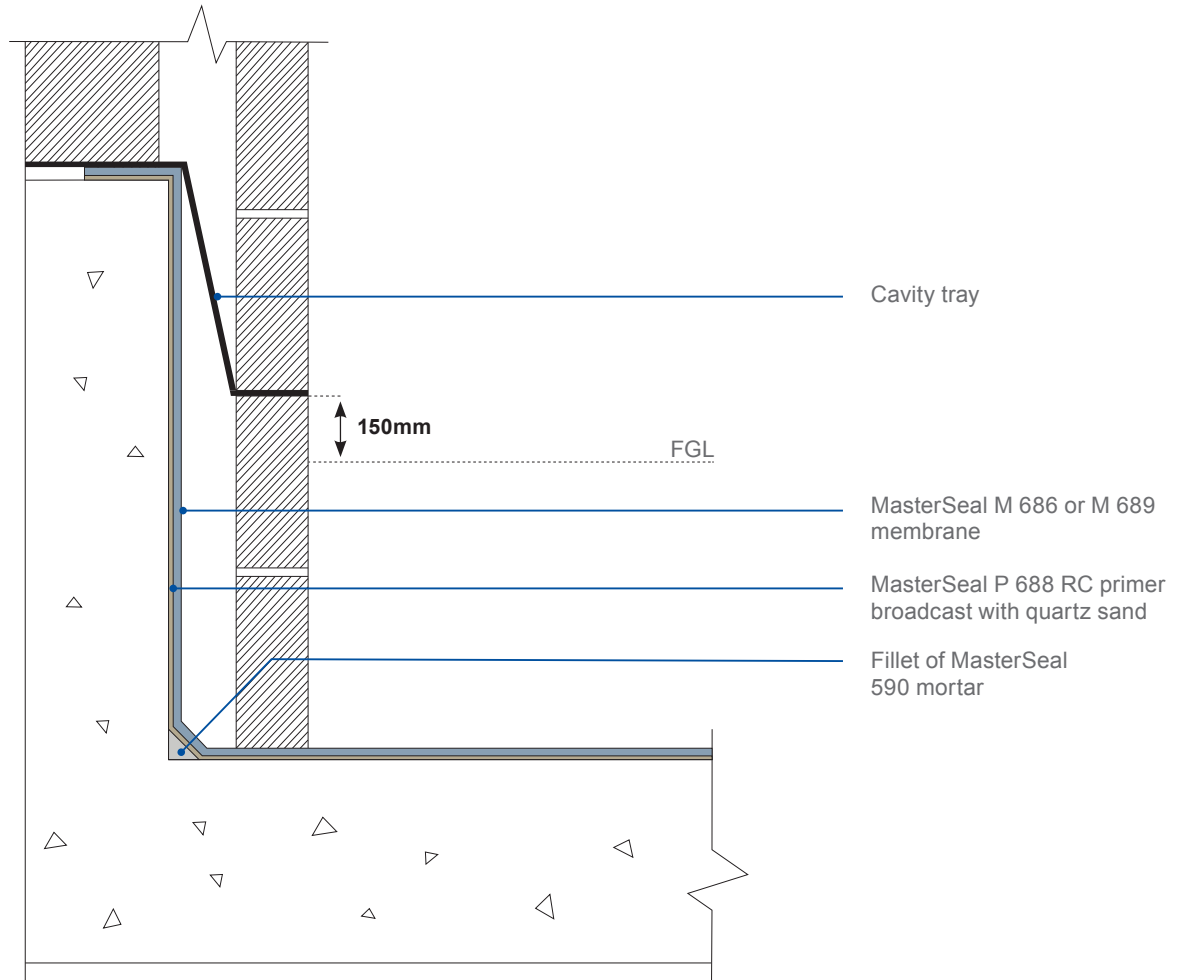


Podium Deck Movement Joint Details



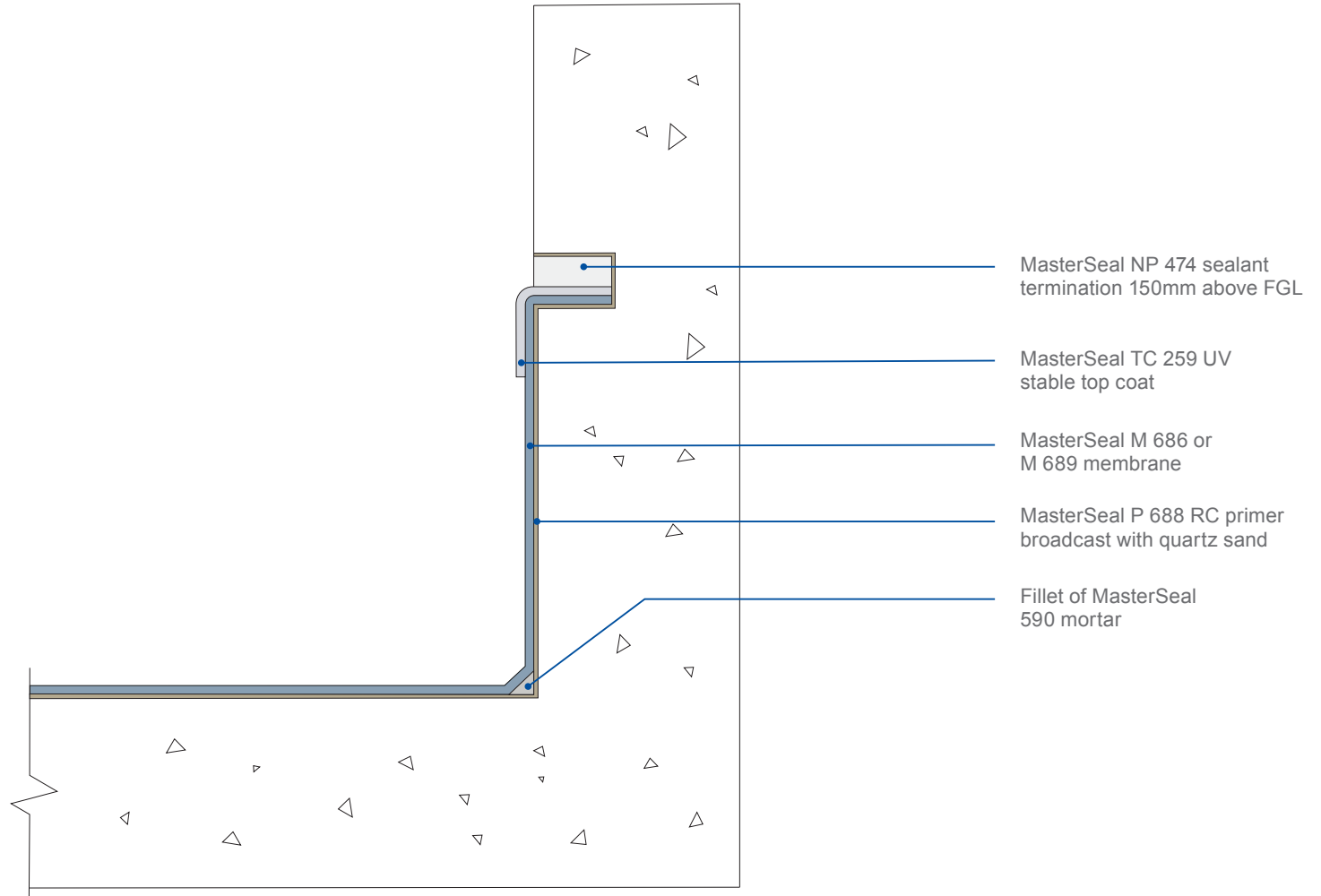


Termination To Wall Cavity



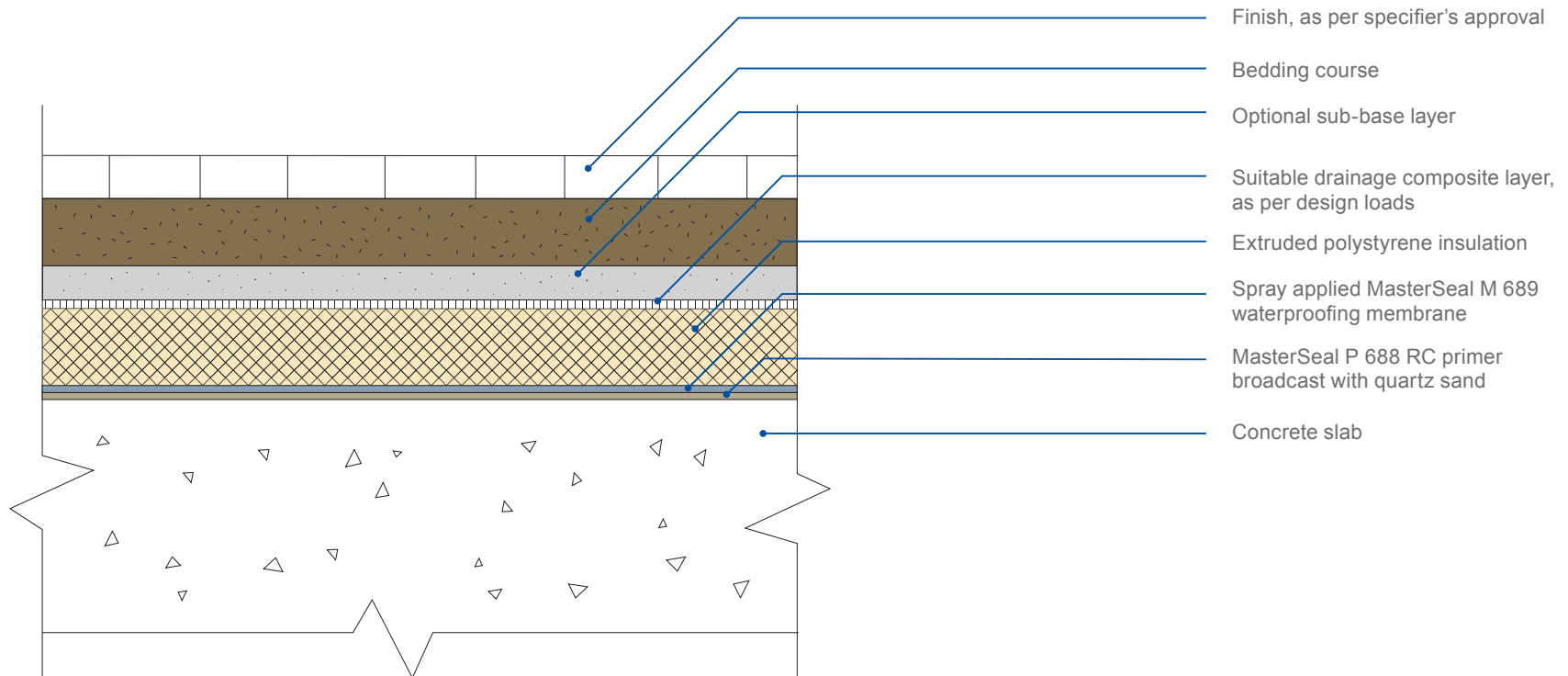


Wall Termination





Build Up Of Paved Areas At Podium Level (With Insulation)





Build Up Of Planted Areas At Podium Level

